

### Scheppach Tiger 2500

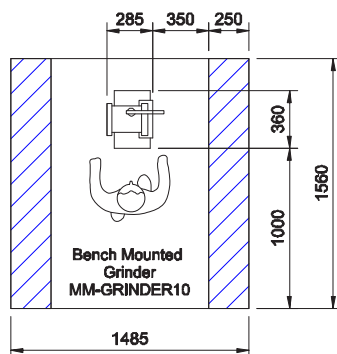


Designed specifically to sharpen and hone a wide range of wood cutting tools, this machine will produce the perfect razor-sharp edges needed for the finest of work. The grinding wheel runs slowly in a water trough to prevent heat build-up and the leather honing wheel removes the burr to leave a perfectly polished cutting edge. The powerful motor is made for continuous operation and is protected from water splashes by an enclosed housing.

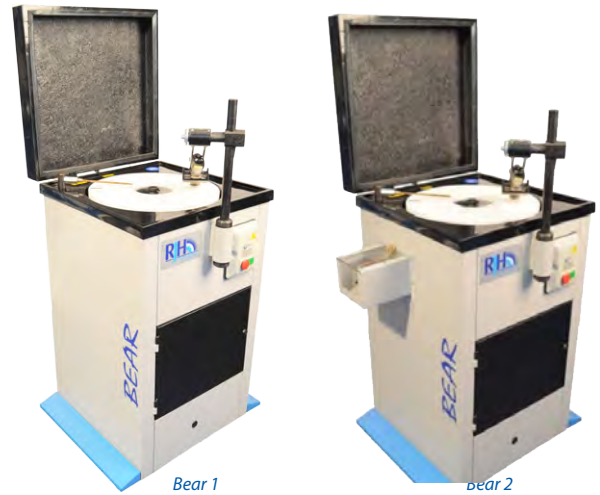
Specification	
Disc Bore Size:	12.1mm
No Load Speed:	90rpm
Power Voltage Supply:	230V
Weight:	16.5kg
Dimensions:	370(W) x 380(D) x 420(H)mm
Power Requirements:	240V 2A, Fused switch-disconnector
Warranty:	UK Mainland: 2 Years Return to Base Elsewhere: 2 Years Return and Collect

#### CAD Drawing (with Safe Working Area)

Available on request in DXF, DWG & DTD (2D Design) formats. See page 10.



### RJH Finishing BEAR 1 & BEAR 2



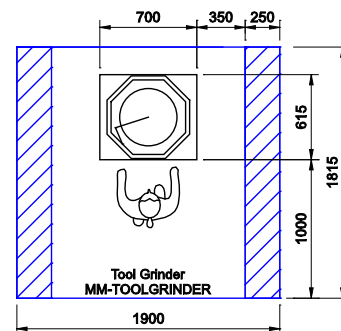
Essential for maintaining edge tools, these machines feature a controlled 110rpm wheel speed, force-fed recirculatory coolant system and integral oil reservoir with filter. The tool holder accepts up to 60mm wide blades so is ideal for all chisels and most plane irons. The centre swivel arm has fine adjustment control to ensure that tool edge and grinding wheels remain in perfectly flat contact.

The Bear 2 adds a radius gouge toolholder and a 1500rpm cone wheel with work rest and splash guard.

Specification	Bear 1	Bear 2
Grinding Wheel Size:	406(dia) x 32(W)mm	
Wheel Speed:	140rpm	
Cone Wheel Size:	N/A	75(dia) x 100(D)mm
Motor:	1 Phase: 0.25kW (0.34hp) 3 Phase: 0.18kW (0.24hp)	
Weight:	105kg	115kg
Dimensions:	615(W) x 615(D) x 1120(H)mm	700(W) x 615(D) x 1120(H)mm
Power Requirements:	415V 0.18kW or 240V 0.25kW, Fused switch-disconnector	
Warranty:	UK Mainland: 2 Years On-Site Elsewhere: 2 Years Return and Collect	

#### CAD Drawing (with Safe Working Area)

Available on request in DXF, DWG & DTD (2D Design) formats. See page 10.



#### Prices £\*

\*See Pricing Information on page 2

<b>MM-GRINDER10</b>	Scheppach Tiger 2500 10" Grinder c/w universal jig 100	
---------------------	--	--

#### Prices £\*

\*See Pricing Information on page 2

<b>MM-TOOLGRINDERS</b>	RJH Finishing Bear 1 Grinder (1 Phase)	
<b>MM-TOOLGRINDERT</b>	RJH Finishing Bear 1 Grinder (3 Phase)	
<b>MM-TOOLGRIND2S</b>	RJH Finishing Bear 2 Grinder (1 Phase)	
<b>MM-TOOLGRIND2T</b>	RJH Finishing Bear 2 Grinder (3 Phase)	